



BIG REACH, BIGGER PERFORMANCE

Big reach, big performance. The Astra 3 Double Arm was designed to provide outstanding reach in a small footprint. With nearly 3 feet of extension from the base and a 270° rotating head, the Astra 3 Double Arm puts illumination exactly where it is needed. Clustered, high-output, high CRI LEDs provide a crisp white light with no shadowing effect in a smaller footprint. The Astra 3 features programmable touch button controls, allowing the user to return to the same dimming level as last used, double touch to maximum brightness and programming for auto shut-off after 5 or 10 hours of use. Astra 3 also includes an energy saving Occupancy Sensor that turns on the Astra 3 with movement and turns off after 15 minutes of inactivity.



Touch button design with auto shut-off programming and brightness memory.

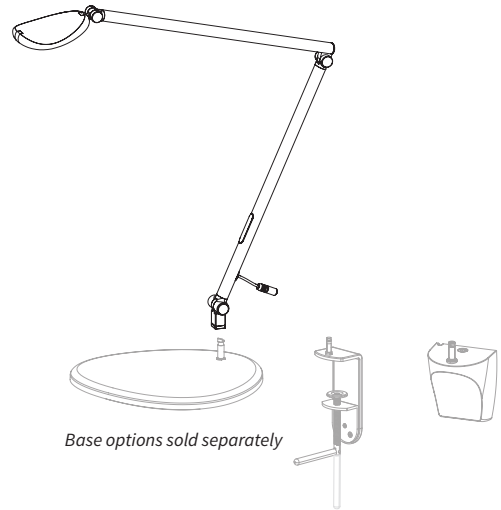


Energy saving Occupancy Sensor turns on with movement and off after 15 minutes of inactivity.

ASTRA 3 DOUBLE ARM LED DESK LIGHT

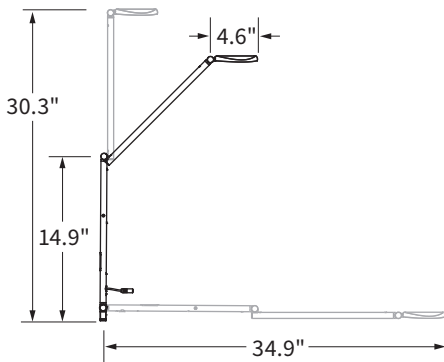
Specifications:

- 34.9" Reach from base/mount
- Multiple base options
- Bright white light output: 3100K, 93 CRI
- Included occupancy sensor
- Continuous dimming from 100% – 5%
- Touch button on/off & dimming controls
- UL Certified, Energy Star Compliant Luminaires V1.2
- 50,000+ hour life LED's (L70 rating)
- 5 year fixture warranty
- Available in silver
- 12 W transformer included:
 - 24 V, 0.5 A, Class 2 transformer: 3" x 1.125" x 1.75"
 - Two prong plug on 6 foot cord, connects to 3 foot cord attached to fixture

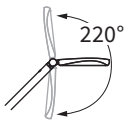


Dimensions

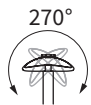
Horizontal and vertical reach



Fixture pivot & rotation



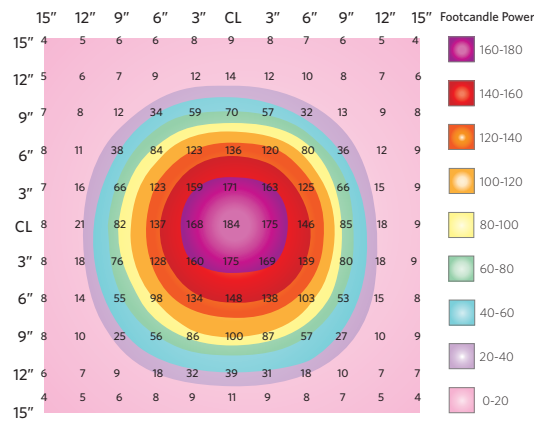
Shade pivot



Shade rotation

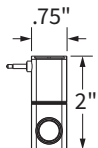
Photometrics

Source at 15"

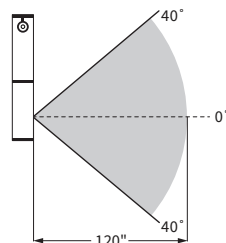
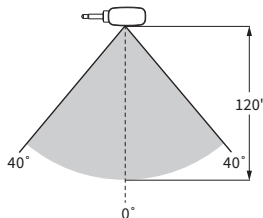


Occupancy Sensor

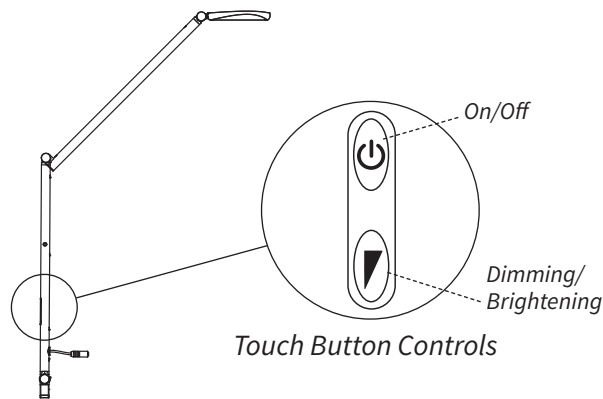
Height & width



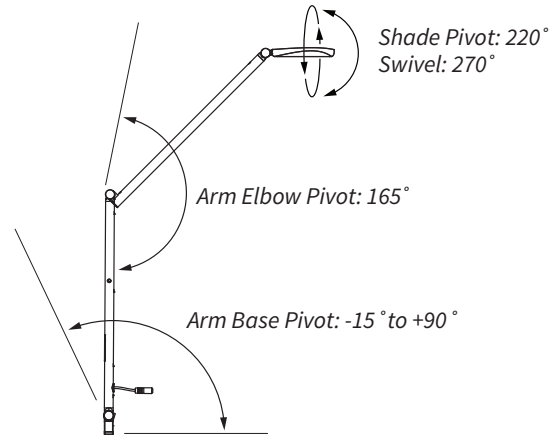
Range & field of view



User Controls



Range of Motion



On/Off: Press and release the On/Off button once to turn on or off. Note: The lamp will return to the same brightness setting it was before being turned off.

Dimming: While the lamp is on, press & hold the dimmer button. Dimming will be continuous down to 5%.

Brightening: While lamp is on and dimmed to less than 100% brightness, double tap the dimming/brightening button. The lamp will return to full brightness.

Auto Shut-Off Programming

5 Hour Timer: Turn the lamp On. Press & hold the On/Off button for 15 seconds. The light will emit a single flash to indicate the 5 hr Auto Shut-Off has been activated, then release the button.

10 Hour Timer: Turn the lamp On. Press & hold the On/Off button for 20 seconds. The light will emit a double flash to indicate the 10 hr Auto Shut-Off has been activated, then release the button.

Disable Timer: Turn the lamp On. Press & hold the On/Off button for 30 seconds. The light will emit a triple flash to indicate the Auto Shut-Off has been deactivated, then release the button.

NOTE! The auto Shut-Off Programming will be overridden when an optional Occupancy Sensor is in use.

✓ Parts & Support

Desk Light Table Base, Teardrop, Silver LTG-TB-TD-S
Two Piece Clamp, Silver LTG-CCB-TP-S
Tool Bar & Slatwall Mount, Silver LTG-TSB-ADJ-S
Astra 3 Occupancy Sensor, Silver LTG-OCC-PVT-S
Transformer TR-12240500-A-SF3.5

Technical Support: Please call Workrite Technical Support while at the Workrite product.
(800) 969-9675 option 2.

Warranty: Astra fixture, 5 years. Astra transformers, 3 year.